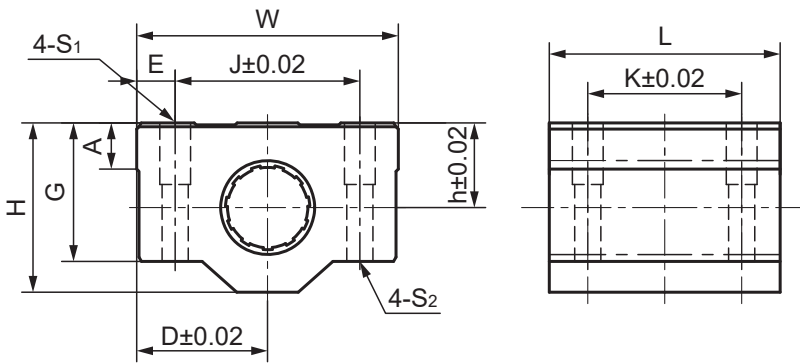


### LIN-01G 标准设计直线轴承座 Housing bearings, standard design



- 封闭式带轴承座设计
- 装配LIN-01直线轴承
- 阳极氧化铝合金座孔
- 减小配合间隙
- 免维护、低噪音
- 适用于污垢或灰尘环境
- 使用温度-20℃/+60℃
- Closed design with housing
- Assembled linear bearings LIN-01
- Anodized aluminum housing
- Reduced bearing clearance
- Maintenance-free and low noise
- Resistance to dirt and dust
- Operation temperature -20℃/+60℃

### 标准规格 Standard specifications



产品编码 Part No.:

LIN-01G-16

- 轴承内径 Inner diameter
- 标准设计直线轴承座 Pillow block, standard design
- LIN-01直线轴承 Standard bearings LIN-01

轴 Shaft: h6-h9

产品编码 Part No.	内装轴承 Bearing [mm]	轴径 Shaft [mm]	尺寸 Size [mm]											
			h	D	W	H	G	A	J	E	S <sub>1</sub>	S <sub>2</sub>	K	L
LIN-01G-12	LIN-01-12	12	15	22	44	30	24	8	33	5.5	M5*12	Φ4.3	26	39
LIN-01G-16	LIN-01-16	16	19	25	50	38.5	32.5	9	36	7	M5*12	Φ4.3	34	44
LIN-01G-20	LIN-01-20	20	21	27	54	41	35	11	40	7	M6*12	Φ5.2	40	53
LIN-01G-25	LIN-01-25	25	26	38	76	51.5	41	12	54	11	M8*12	Φ7	50	67
LIN-01G-30	LIN-01-30	30	30	39	78	59.5	49	15	58	10	M8*12	Φ7	58	76

产品编码 Part No.	内径ID [mm]	公差 Tolerance [mm]	F max. [N] 最大动载荷 Dynamic Load P=5MPa	F max. [N] 最大静载荷 Static Load P=35MPa	重量 Weight [g]
LIN-01G-12	12	0/+0.04	480	3360	68
LIN-01G-16	16	0/+0.04	720	5040	110
LIN-01G-20	20	0/+0.04	1125	7875	133
LIN-01G-25	25	0/+0.05	1813	12688	286
LIN-01G-30	30	0/+0.05	2550	17850	359